



请承认书

Version No.: V2.0

常州昊翔电子有限公司
Changzhou HaoXiang Electronic Co., LTD

客户名称

CUSTOMER NAME : _____

产品名称

COMMODITY : **MAGNETIC BUZZER**

产品型号

MODEL NO : **TDA-12095-5S**

客户料号

PART NO : _____

审核	秦皓	主办	唐俐雅 Oct. 13, 2018
----	----	----	-------------------

客户承认栏			
承认		拒收	

常州昊翔电子有限公司

常州声翔电子有限公司

常州公司:

江苏省常州市戚区潞城镇富民路 286 号

TEL:86-519-8363089 13585451311

FAX:86-519-88353844

E-mail: sales@tda-buzzer.com sales2@tda-buzzer.com

南通工厂:

江苏如皋市郭元镇工业园辰翔工业区

TEL:86-513-87910588 871919168

FAX:86-513-87915598

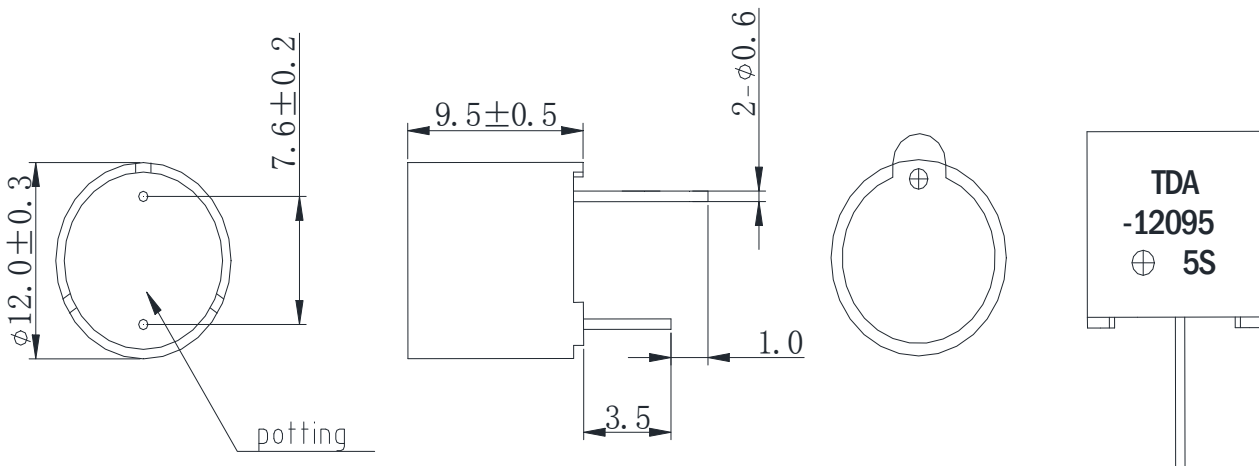
A. SCOPE

This specification applies magnetic buzzer, **TDA-12095-5S**

B. SPECIFICATION

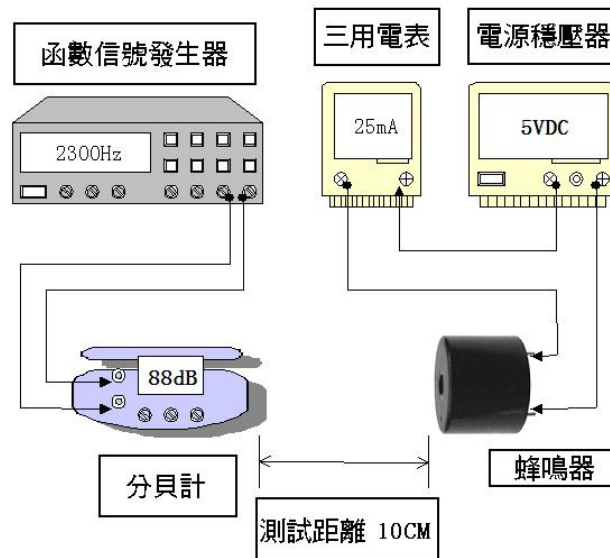
No.	Item	Unit	Specification	Condition
1	Oscillation Frequency	Hz	2300±300	square wave
2	Operating Voltage	Vdc	4~7	
3	Rated Voltage	Vdc	5	
4	Current Consumption	mA	MAX. 30	at 5Vdc
5	Sound Pressure Level	dB	MIN. 85	at 10cm 5Vdc
6	Operating Temperature	°C	-20 ~ +70	
7	Storage Temperature	°C	-40 ~ +80	
8	Dimension	mm	Ø12.0xH9.5	See appearance drawing
9	Weight (MAX)	gram	1.2	
10	Housing Material		PBT(Black)	
11	Leading Pin		Tin Plated Brass(Sn)	See appearance drawing
12	Environmental Protection Regulation		RoHS	

C. APPEARANCE DRAWING



Unit:mm Tolerance : ±0.5mm

D. RECOMMEND DRIVING CIRCUIT



E. MECHANICAL CHARACTERISTICS

NO	Item	Test Condition	Evaluation standard
1	Solderability	Stripped wires of lead wires are immersed in rosin for 5 seconds and then immersed in solder bath of $270\pm 5^{\circ}\text{C}$ for 3 ± 0.5 seconds.	90%min stripped wires shall be wet with solder.(except the edge of terminal)
2	Soldering Heat Resistance	Stripped wires are immersed up to 1.5mm from insulation in solder bath of $300\pm 5^{\circ}\text{C}$ for ± 0.5 seconds or $260\pm 5^{\circ}\text{C}$ for 10 ± 1 seconds.	No interference in operation
3	Terminal Strength Pulling	The force 10 ± 1 seconds of 9.8N is applied to each terminal in axial direction	No damage and cutting off
4	Vibration	Buzzer shall be measured after being applied vibration of 1.5mm with 10 to 55Hz band of vibration frequency to each of 3 per-pendicular directions for 2 hours.	The value of oscillation frequency and current consumption should be in $\pm 10\%$ compared with initial ones. The SPL should be in $\pm 10\text{dB}$ compared with initial one.

F. ENVIRONMENT TEST

NO	Item	Test Condition	Evaluation standard
1	High temp. test	After being placed in a chamber at 80°C for 96 hours	Being placed for 4 hours at 25°C , buzzer shall be measured. The value of oscillation frequency and current consumption should be in $\pm 10\%$ compared with initial one. The SPL should be in $\pm 10\text{dB}$ compared with initial one.
2	Low temp. test	After being placed in a chamber at -40°C for 96 hours	
3	Humidity test	After being placed in a chamber at 40°C and $85\pm 5\%$ relative humidity for 96hours	
4	Temp. cycle test	<p>The part shall be subjected to 5 cycles. One cycle shall be consist of:</p> <p style="text-align: center;">3hours</p>	

G. RELIABILITY TEST

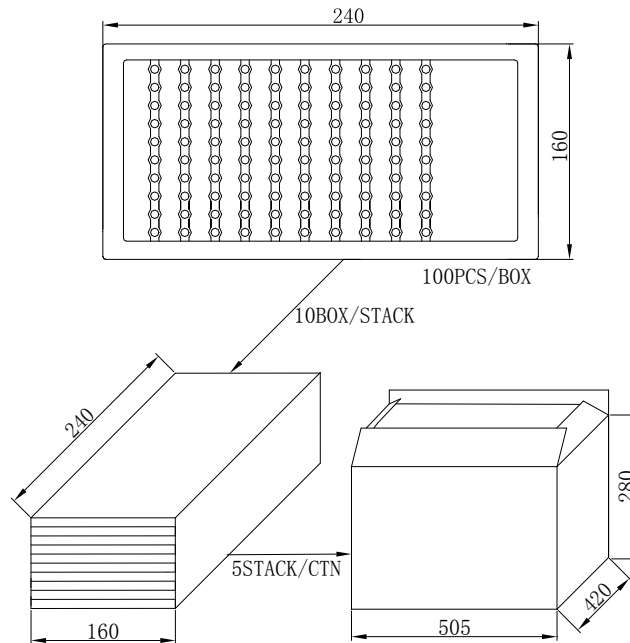
NO	Item	Test condition	Evaluation standard
1	Operating life test	1. Continuous life test 96 hours continuous operation at 60°C with maximum rated voltage applied. 2. Intermittent life test A duty cycle of 1 minute on, 5 minutes off, a minimum of 1000 times at room temp. (25±2°C) and maximum rated voltage applied	Being placed for 4 hours at 25°C, buzzer shall be measured. The value of oscillation frequency and current consumption should be in ±10% compared with initial one. The SPL should be in ±10dB compared with initial one.

TEST CONDITION

Standard Test Condition : a) Temperature : +5 ~ +35°C b) Humidity : 45-85% c) Pressure : 860-1060mbar

Judgment Test Condition: a) Temperature : +25±2°C b) Humidity : 60-70% c) Pressure : 860-1060mbar

H. PACKING STANDARD



I. NOTE CAUTIONS

a. Please pay attention in welding process, don't let soldering flux invasion into the sound chamber , otherwise flux can cause defect conduction.

b. Use should handle with care, avoiding direct pressure contact, or inadvertently falling down, to prevent the occurrence of fault, or the generation characteristics of abnormal movements.

c. This product is not dustproof, not waterproof, not resistance to dropping.

