



请承认书

Version No.: V2.0

常州昊翔电子有限公司
Changzhou HaoXiang Electronic Co., LTD
 客户名称
CUSTOMER NAMED : _____
 产品名称
COMMODITY : Speaker
 产品型号
MODEL NO : TDA-4040KC4U20
 客户料号
PART NO : _____

审核	秦皓	主办	潘莲 Oct.17,2019
----	----	----	----------------

客户承认栏			
承认		拒收	

常州昊翔电子有限公司

常州声翔电子有限公司

常州公司：
 江苏省常州市戚区潞城镇富民路 286 号
 TEL:86-519-8363089 13585451311
 FAX:86-519-88353844
 E-mail: sales@tda-buzzer.com sales2@tda-buzzer.com

南通工厂：
 江苏如皋市郭元镇工业园辰翔工业区
 TEL:86-513-87910588 871919168
 FAX:86-513-87915598

A. MODEL: TDA-4040KC4U20

B. SPECIFICATION

Test condition: Temperature: 15~35°C Related Humidity:25~75% (GB/T9396-1996)

No.	Item	Specification	Condition
1	Dimension	40×40×H20.5mm	
2	Impedance	4±15%Ω	At 1KHz
3	Output Sound Pressure Level	86±3dB	At 30CM,1W
4	Response Frequency	170Hz±20%	At 1.0V
5	Frequency Range	F0~20KHz	-10dB At 0.898V,1W
6	Distortion	<5%	At 3W,1000Hz
7	Power Rating	Normal: 3W Maximum: 5W	
8	Operating temperature	- 25 ~ +70°C	
9	Storage temperature	- 25 ~ + 70°C	
10	Abnormal Sound test	Must be Normal At Sine Wave	
11	RoHS	The Speaker is RoHS compliant.	

C.ENVIRONMENT TEST

No.	Item	Condition	Evaluation standard
1	High Temperature	Must be normal after 70 ± 2 °C and relative humidity20-25% 16hours.	Being placed for 4 hours at room temperature, speaker shall be measured. SPL should not deviate by ± 5 dB,and nor any significant damage.
2	Low Temperature	Must be normal after -25 ± 3 °C and relative humidity60% 16hours.	
2	Humidity	Must be normal after40 ± 2 °C and relative humidity90-95%48 hours .	

D.RELIABILTY TEST

No.	Item	Test conditions	Evaluation standard
1	Load test	Must be normal after load test :white noise 3W 48hours.	After test, SPL shall not deviate by ±5 dB from pre-test measurement,and nor any significant damage .

E. MEASURING METHOD(SPEAKER MODE)

E-1. Test Condition

(a) STANDARD:

Temperature : 15 ~ 35°C, Relative humidity : 45% ~ 85%,

Atmospheric pressure : 860mbar to 1060mbar

(b) JUDGEMENT:

Temperature : $20 \pm 3^\circ\text{C}$, Relative humidity : 60% ~ 70%,

Atmospheric pressure : 860mbar to 1060mbar

E-2. Standard Test Fixture

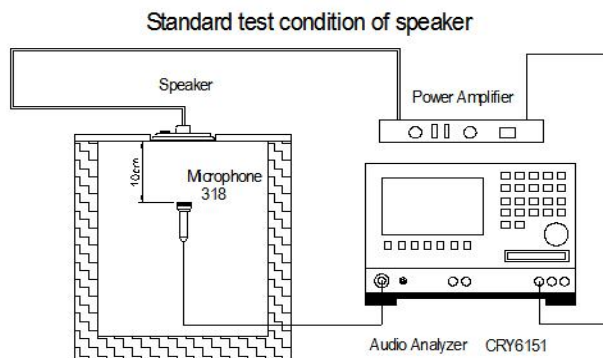
1. Input Power : 1W

2. Zero Level : -dB

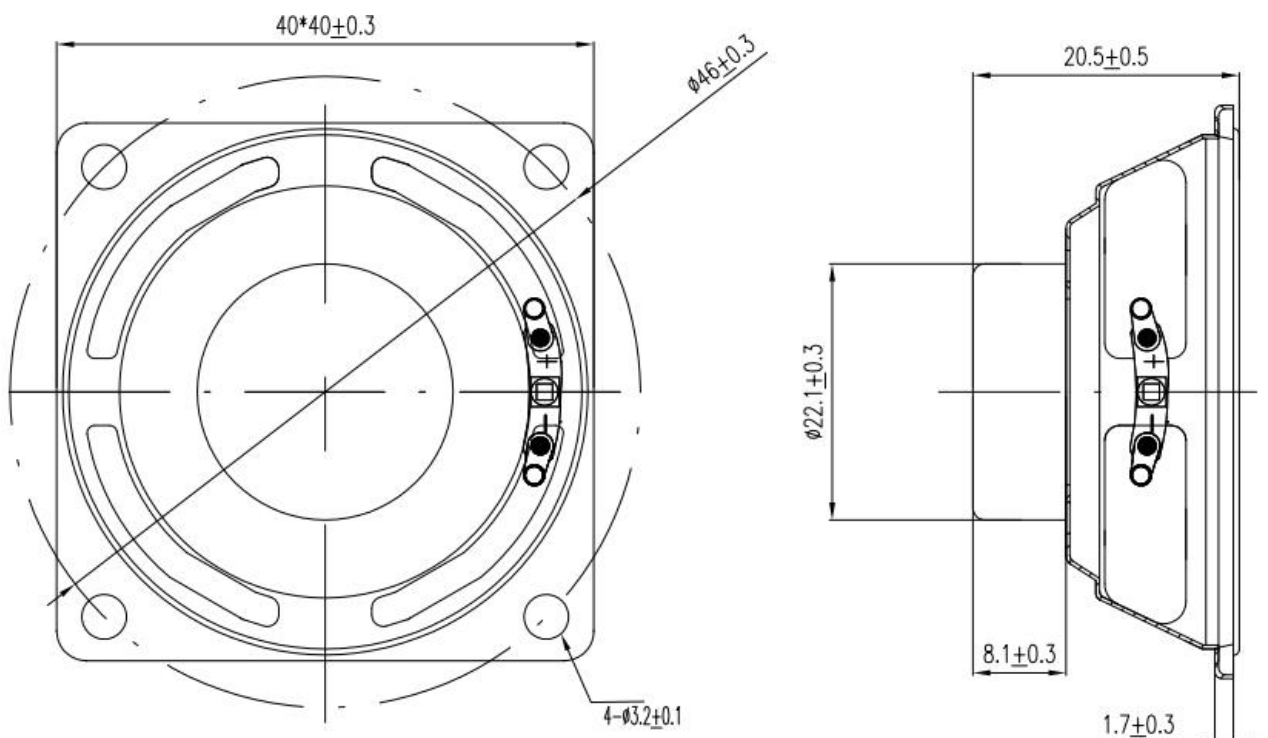
3. Mode : TSR

4. potentiometer Range : 50dB

5. Sweep Time : 0.5sec



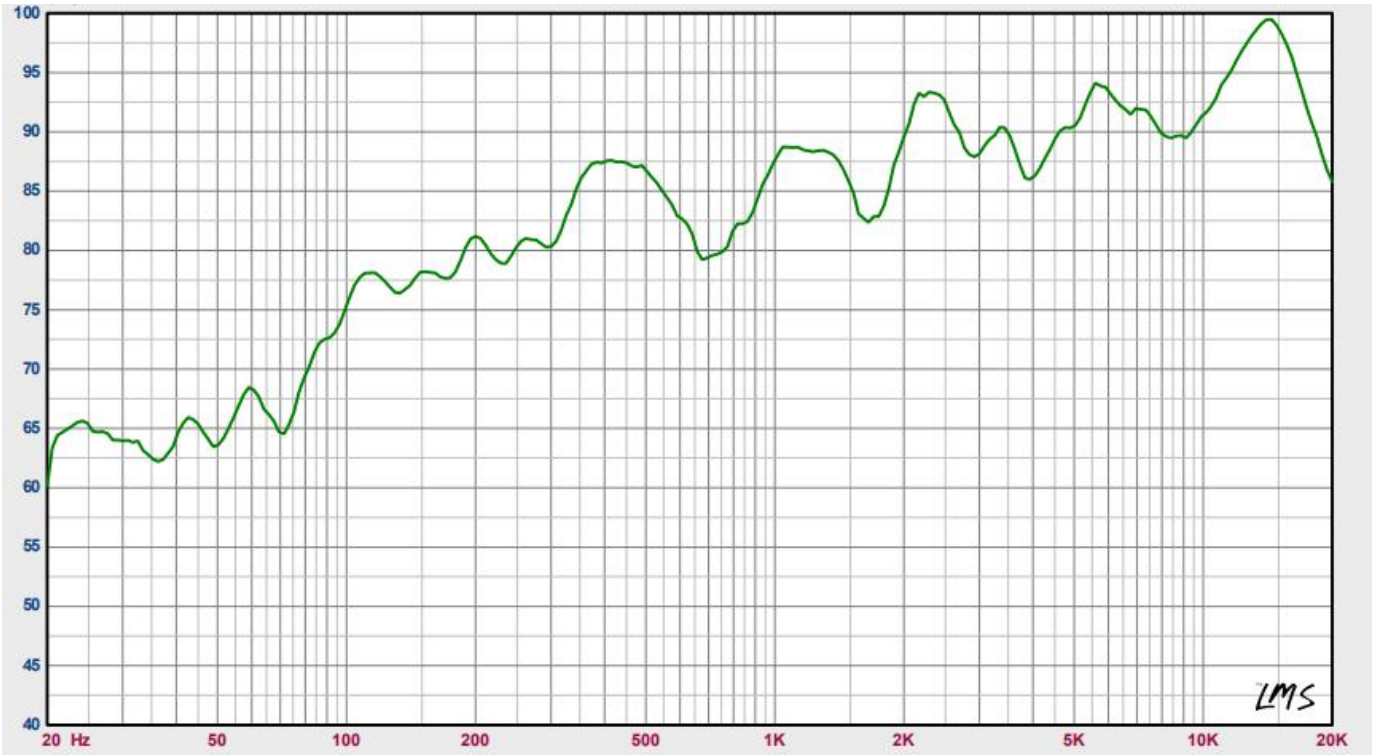
F. APPEARANCE AWING



Unit:mm Tolerance : $\pm 0.5\text{mm}$

G.FREQUENCY CURVE

G-1. FREQUENCY CURVE



G-2. IMPEDANCE CURVE

