



请承认书

Version No.: V2.0

常州昊翔电子有限公司  
Changzhou HaoXiang Electronic Co., LTD

客户名称

CUSTOMER NAMER : \_\_\_\_\_

产品名称

COMMODITY : SMD MAGNETIC BUZZER

产品型号

MODEL NO : TDA-M85030-0340

客户料号

PART NO : \_\_\_\_\_

审核	秦皓	主办	曹升薪 Nov.21,2018
----	----	----	-----------------

客户承认栏			
承认		拒收	

常州昊翔电子有限公司

常州声翔电子有限公司

常州公司:

江苏省常州市戚区潞城镇富民路 286 号

TEL:86-519-8363089 13585451311

FAX:86-519-88353844

E-mail: [sales@tda-buzzer.com](mailto:sales@tda-buzzer.com) [sales2@tda-buzzer.com](mailto:sales2@tda-buzzer.com)

南通工厂:

江苏如皋市郭元镇工业园辰翔工业区

TEL:86-513-87910588 871919168

FAX:86-513-87915598

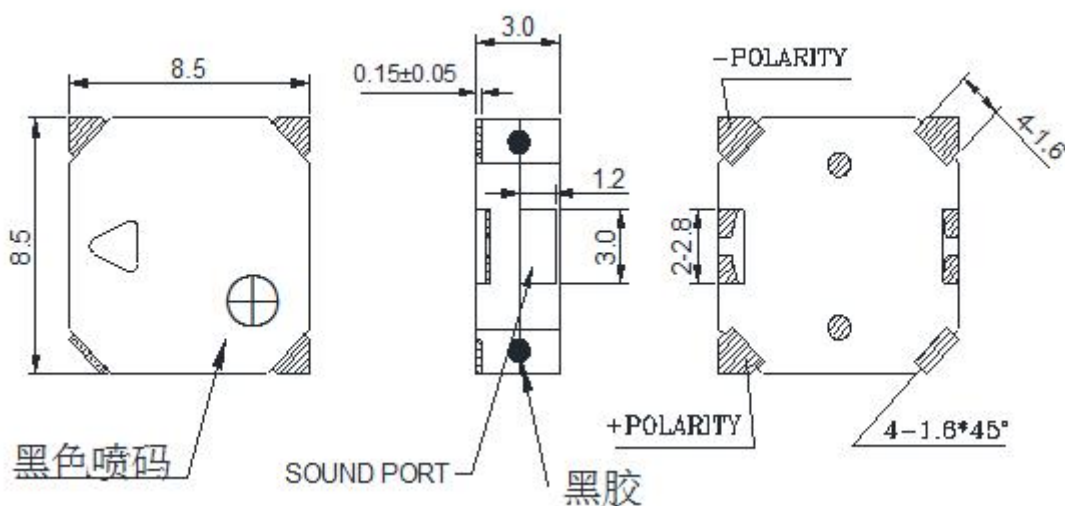
## A. SCOPE

This specification applies magnetic buzzer, **TDA-M85030-0340**

## B. SPECIFICATION

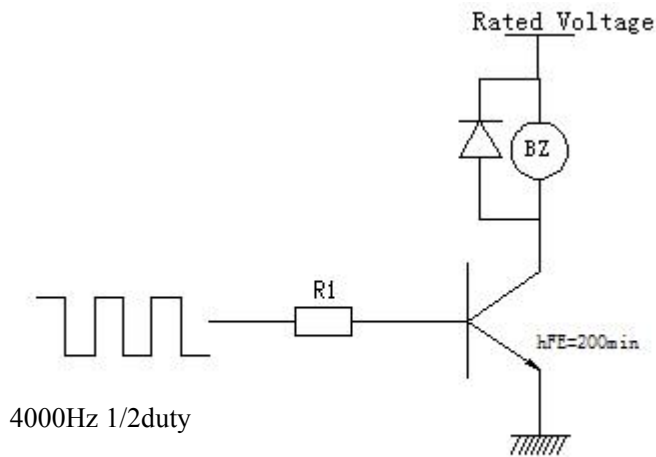
No.	Item	Unit	Specification	Condition
1	Oscillation Frequency	Hz	4000	Square Wave
2	Operating Voltage	Vdc	2.5 ~ 4.5	
3	Rated Voltage	Vdc	3.6	
4	Current Consumption	mA	MAX. 100	at Rated Voltage
5	Sound Pressure Level	dB	MIN. 90	at 10cm at Rated Voltage
6	Coil Resistance	$\Omega$	16 $\pm$ 3	
7	Operating Temperature	$^{\circ}$ C	-40 ~ +105	
8	Storage Temperature	$^{\circ}$ C	-40 ~ +105	
9	Dimension	mm	8.5x8.5x H3.0	See appearance drawing
10	Weight (MAX)	gram	0.6	
11	Housing Material		LCP( Black )	
12	Leading Pin		Tin Plated Brass(Sn)	See appearance drawing
13	Environmental Protection Regulation		RoHS	

## C. APPEARANCE DRAWING

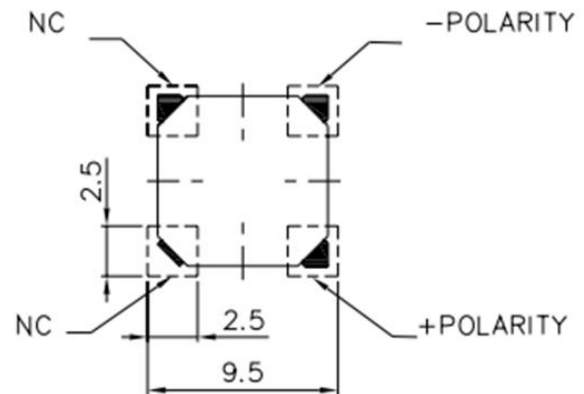


Unit:mm Tolerance :  $\pm$ 0.5mm

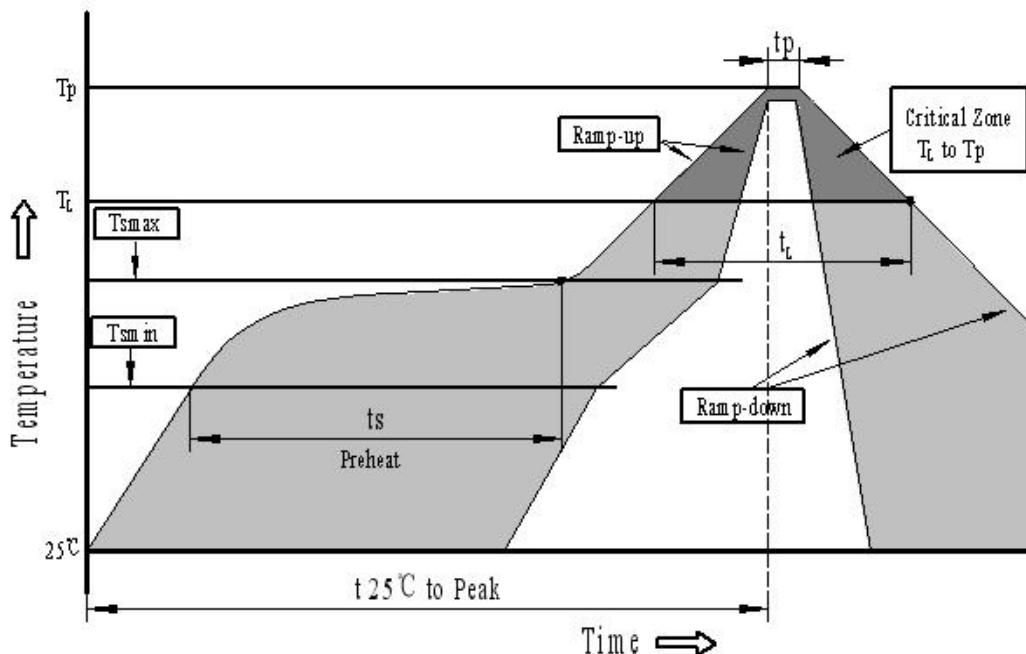
## D. RECOMMEND DRIVING CIRCUIT



## Recommended land pattern

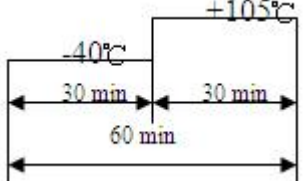
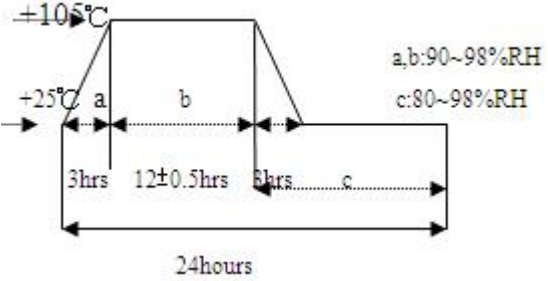


## E. RECOMMENDED TEMP. PROFILE FOR REFLOW OVEN



Profile Feature	Pb-Free Assembly
Average ramp-up rate( $T_L$ to $T_p$ )	3°C/second max.
Preheat	
-Temperature Min.( $T_{smin}$ )	150°C
-Temperature Min.( $T_{smax}$ )	200°C
-Temperature Min.( $t_s$ )	60~180 seconds
$T_{smax}$ to $T_L$	
-Ramp-up Rate	3°C/second max.
Time maintained above:	
- Temperature( $T_L$ )	217°C
-Time( $T_L$ )	60~150 seconds
Peak temperature( $T_p$ )	245°C+0/-5°C
Time within 5°C of actual Peak temperature ( $t_p$ )	6 seconds max.
Ramp-down Rate	6°C/second max.
Time 25°C to Peak Temperature	8 minutes max.

## F. RELIABILITY TEST

NO.	ITEM	TEST CONDITION AND REQUIREMENT
1	High Temperature Test (Storage)	<p>After being placed in a chamber with 105 °C for 96 hours and then being placed in normal condition for 2 hours.</p> <p>Allowable variation of SPL after test: 10dB.</p>
2	Low Temperature Test (Storage)	<p>After being Placed in a chamber with -40 °C for 96 hours and then being placed in normal condition for 2 hours.</p> <p>Allowable variation of SPL after test: 10dB.</p>
3	Thermal shock	<p>The part shall be subjected to 10 cycles. One cycle shall consist of;</p>  <p>Allowable variation of SPL after test: 10dB.</p>
4	Temp./Humidity Cycle	<p>The part shall be subjected to 10 cycle shall be 24 hours and consist of;</p>  <p>Allowable variation of SPL after test: 10dB.</p>
5	Drop Test	<p>Drop on a hard wood board of 4cm thick, any directions ,6 times, at the height of 75cm .</p> <p>Allowable variation of SPL after test: 10dB.</p>
6	Vibration Test	<p>After being applied vibration of amplitude of 1.5mmwith 10 to 55 Hz band of vibration frequency to each of 3 perpendicular directions for 2 hours .</p> <p>Allowable variation of SPL after test: 10dB.</p>
7	Solderability Test	<p>Lead terminals are immersed in rosin for 5 seconds and then immersed in solder bath of +245 °C for 3 1 seconds .</p> <p>90% min. lead terminals shall be wet with solder</p> <p>No interference in operation</p>

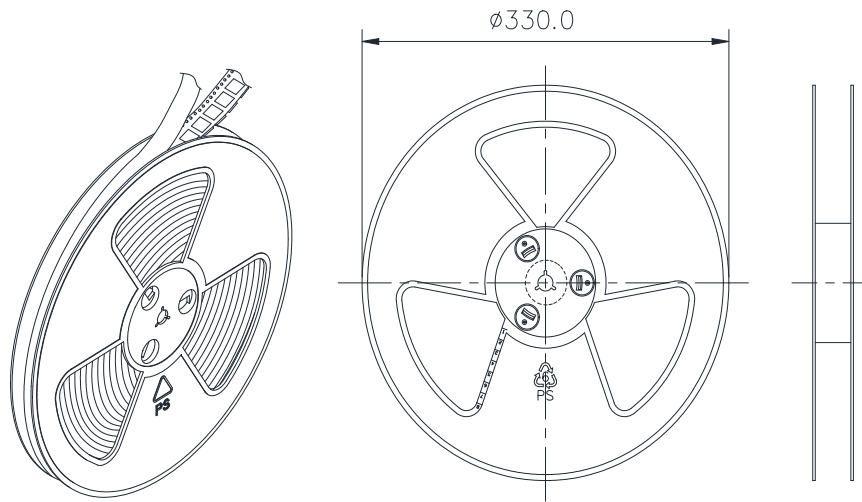
8	Soldering Heat Resistance	The product is followed the reflow temperature curve to test its reflow thermostability. No interference in operation
9	Terminal Strength Pulling Test	The force of 9.8N(1.0kg) is applied to each terminal in axial direction for 10 seconds. No visible damage and cutting off.

**TEST CONDITION**

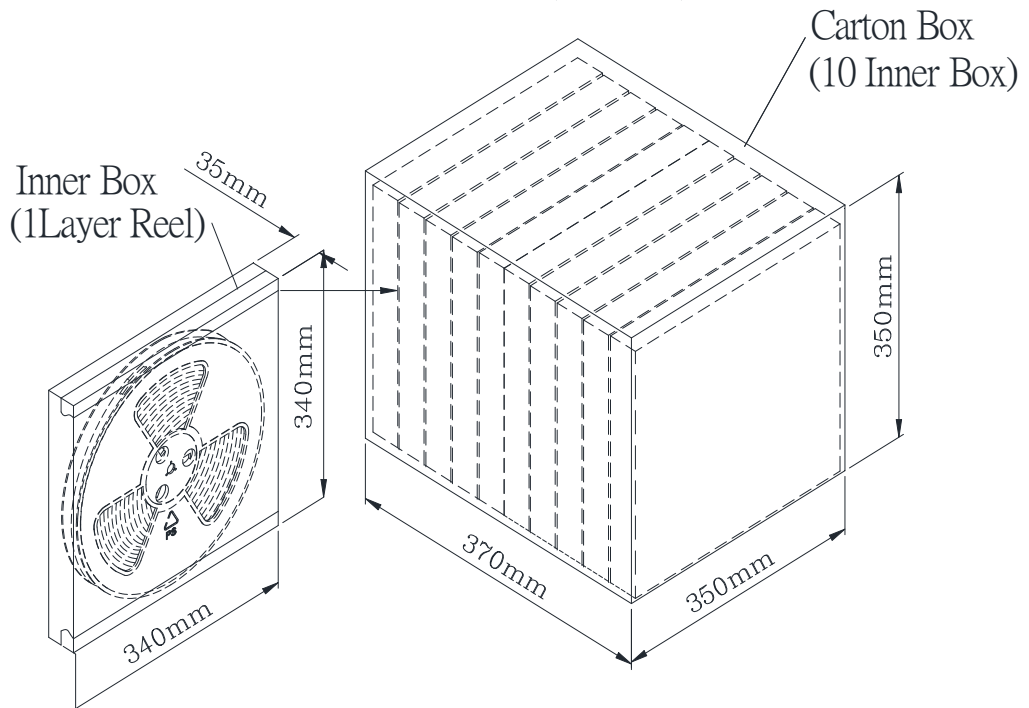
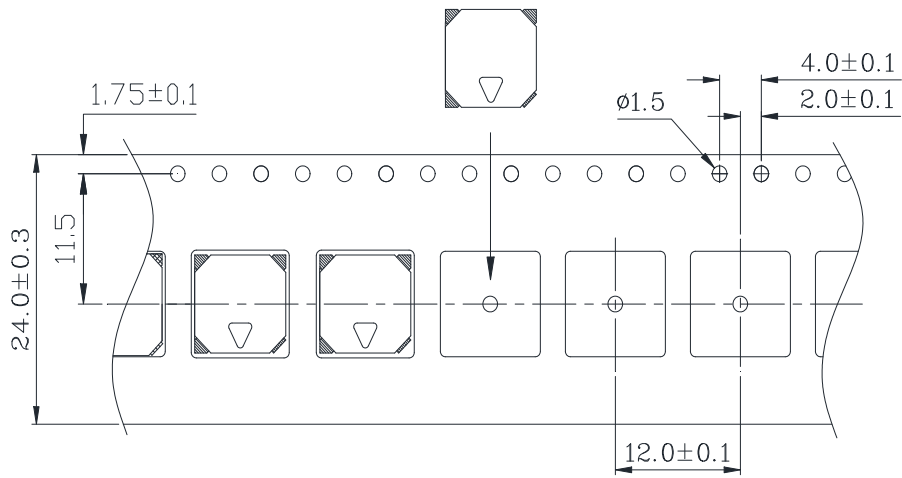
**Standard Test Condition :** a) Temperature : +5 ~ +35°C    b) Humidity : 45-85%    c) Pressure : 860-1060mbar

**Judgment Test Condition:** a) Temperature : +25±2°C    b) Humidity : 60-70%    c) Pressure : 860-1060mbar

# G. PACKING STANDARD



1 Reel : 1000PCS



Inner Box	340mmx340mmx35mm	1x1000PCS=1000PCS
Carton Box	350mmx350mmx370mm	10x1000PCS=10,000PCS

